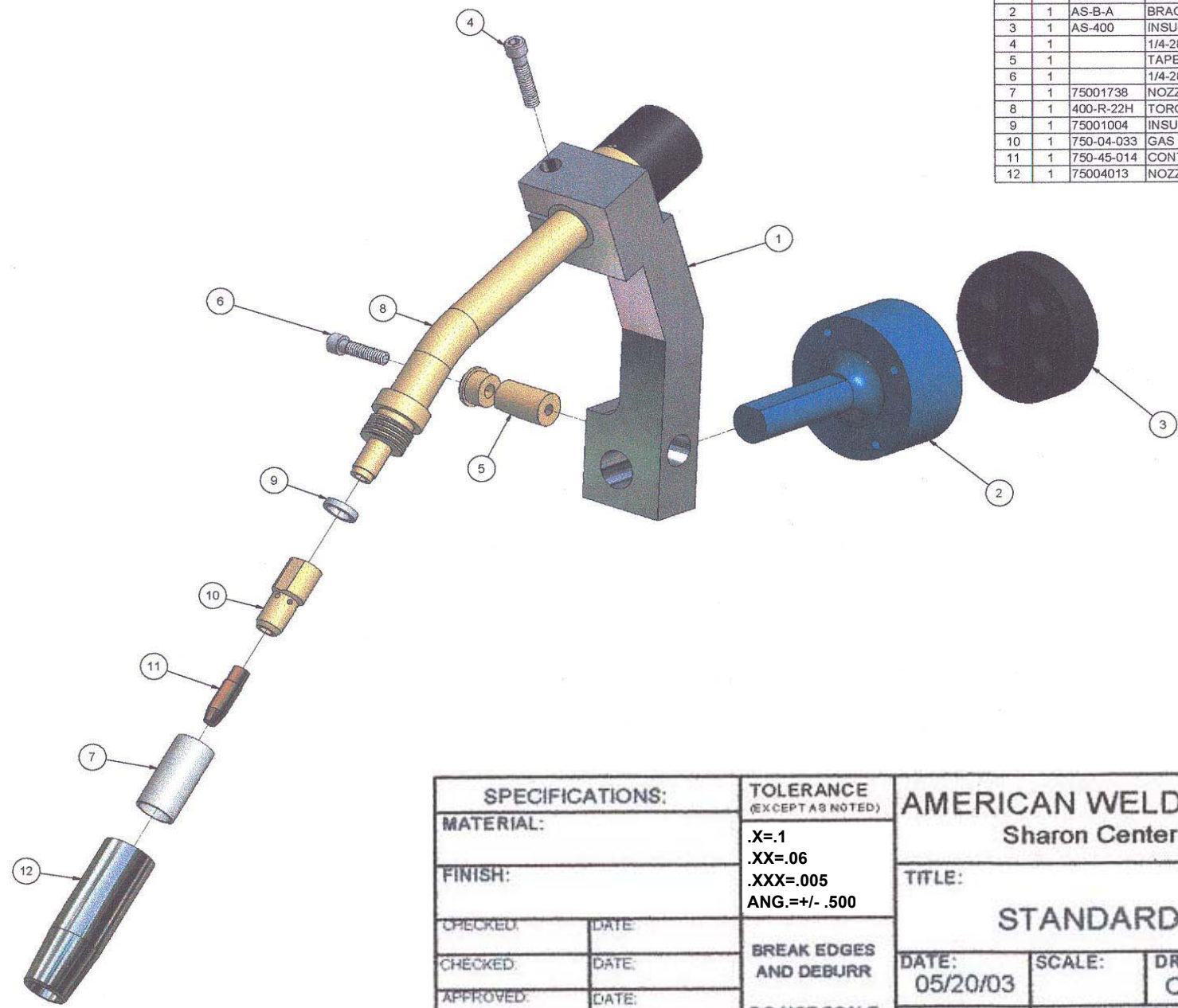


Parts List

ITEM	QTY	PART NO.	DESCRIPTION
1	1	AS-B-23	23° MOUNTING BRACKET
2	1	AS-B-A	BRACKET ADAPTOR
3	1	AS-400	INSULATING DISK
4	1		1/4-28 x 1 1/4 SOC HD CAP SCREW
5	1		TAPER PIN
6	1		1/4-28 x 1 SOC HD CAP SCREW
7	1	75001738	NOZZLE INSULATOR
8	1	400-R-22H	TORCH
9	1	75001004	INSULATING WASHER
10	1	750-04-033	GAS DIFFUSER
11	1	750-45-014	CONTACT TIP
12	1	75004013	NOZZLE



<b>SPECIFICATIONS:</b>		<b>TOLERANCE</b> (EXCEPT AS NOTED)		<b>AMERICAN WELDQUIP, INC.</b> Sharon Center, Ohio			
<b>MATERIAL:</b>		.X=.1 .XX=.06 .XXX=.005 ANG.=+/- .500					
<b>FINISH:</b>		<b>BREAK EDGES AND DEBURR</b>  <b>DO NOT SCALE DRAWING</b>		<b>DATE:</b> 05/20/03	<b>SCALE:</b>	<b>DRAWN BY:</b> CLDS	<b>SIZE:</b> C
CHECKED:	DATE:			<b>SHEET:</b> 1 OF 1	<b>PART NUMBER:</b> Final Assy		<b>REV.</b>
CHECKED:	DATE:						
APPROVED:	DATE:						
APPROVED:	DATE:						