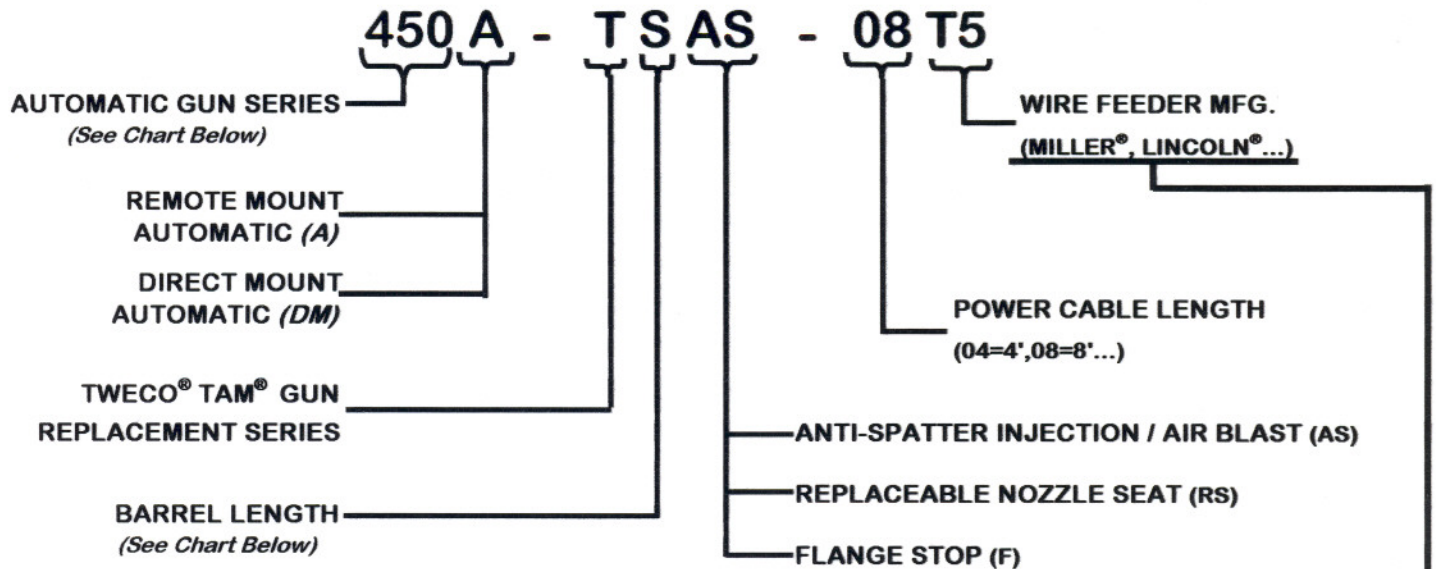


AMERICAN WELDQUIP, INC.

TWECO® TAM® GUN REPLACEMENTS



AUTOMATIC GUN SERIES

Gun Series	Description	Tips	Consumables	
			Nozzles	Diffusers
300	300 Amp, Air-Cooled power cable and neck ass'y	M6 Thread	75002... Series	75002... Series
400	400 Amp, Air-Cooled power cable and neck ass'y	M8 Thread	75004... Series	75004... Series
450	450 Amp, Air-Cld power cable/Wtr-Cld neck ass'y	M8 Thread	75004... Series	75004... Series
600	600 Amp, Water-Cooled power cable and neck ass'y	M8 Thread	75004... Series	75004... Series

BARREL LENGTHS

TAM® Series	Length Description	Barrel Dimensions		
		Overall Length	Grip Length	Barrel Diameter
S	SHORT	6"	3 1/2"	1 1/8"
<Blank>	STANDARD	8 3/4"	6 1/4"	1 1/8"
L	LONG	12"	9 1/2"	1 1/8"

NOTES

- Overall length is measured from Contact Tip to end of back of Grip diameter.
- Grip length is measured as length of surface which has 1 1/8" diameter.

FEEDER		FEEDER	
SUFFIX	TYPE	SUFFIX	TYPE
<Blank>	- Euro-Quick	O	- Oxo®
C	- Century® Powcon	P	- Panasonic®
D	- Daihen® / OTC®	T	- Lincoln® Power Feed 10
H5	- Hobart® (#5)	T	- Tweco®/Hobart® (#4)
L	- Lincoln® (LN7 Style)	T5	- Tweco® (#5)
LT	- L-Tec® 225	W	- Lincoln® Wirematic
M	- Miller® (50 - 60 Series)		