

AMERICAN WELDQUIP ARCSAFE™ COLLISION SENSORS

The ArcSafe™ and ArcSafe -SW provide the maximum collision protection in robotic applications

The ArcSafe utilizes an integrated switch designed to prevent damage to the robotic end of arm equipment and/or tooling. In the event of a crash the ArcSafe signals an E-Stop function of the robot, shutting down the system and avoiding costly damage to the torch, robot or production line components.

The ArcSafe-SW is specifically designed for use where crash protection is integrated into the robotic software package. Most integrated robotic collision detection software systems take time to come to a complete stop - especially with high speed movements. This is where the ArcSafe-SW offers additional protection over solid mount devices. The 20 degree deflection feature incorporated into the ArcSafe-SW provide additional protection over other solid mount type devices. This additional safe guard provides the extra protection required to reduce or eliminate bent goosenecks, cracked insulating disks and damaged tooling.

The ArcSafe Solid Mount is for use with robotic systems with software crash protection. The solid mount provides the necessary connection between the robot wrist and the torch.

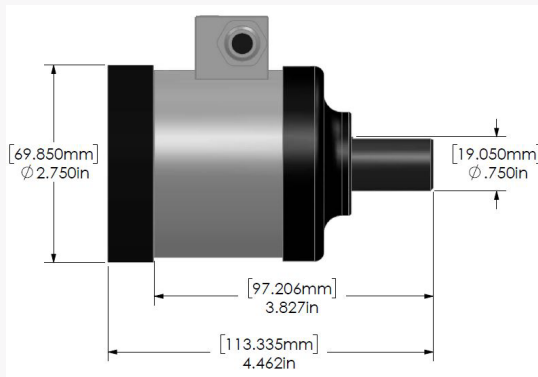
- ✓ Highly Repeatable – Resets to +.002" (+.04mm)
- ✓ Rugged Design – Hardened Tool Steel In Contact and Wear Points.
- ✓ Common Work Envelope – Interchangeability When Changing Out Competitive Brands.
- ✓ Robust E-Stop Control Cable/Connector – Heavy Control Cable and Robust Connector Mean Less Downtime Because Of Cable Issues.
- ✓ Protection in Mx, My, Mz and Fz Directions
- ✓ Arm Mounting Post – Hardened Tool Steel and Flat Surface For Fast and Precise Wedge Pin Mounting Of Torch Arms.
- ✓ Quick Field Replaceable Switch Assembly.
- ✓ Easy Sensitivity Adjustment.
- ✓ Air Assist - Standard
- ✓ Quick Installation – Only Four Screws With Common Allen Key Wrench.
- ✓ Protective Seal Boot – Keeps Weld Spatter Out Of Mounting Screws and Other Critical Areas For Reduced Downtime and Maintenance.
- ✓ Manufactured By American Weldquip In Sharon Center, Ohio So You Are Always Guaranteed Of Quality You Can Trust.



Technical Specifications – ArcSafe, ArcSafe-SW

Weight - 1lb. 9 oz. (.709 KG)
Repeatability - + .002" (+ .04mm)
Range Of Travel - 20° Pivot, 360° Rotation
 .50" (12.7mm) Compression

Spring Force-
 Mx, My = 93 in-lbs
 Mz = 168 in.lbs.
 Fz = 172 lbs.



ArcSafe ArcSafe-SW



ArcSafe Solid Mount



HOW TO ORDER

PART NUMBER	DESCRIPTION
AH1881	ARCSAFE ROBOTIC COLLISION SENSOR
ASW2000	ARCSAFE-SW FOR USE WITH ROBOTIC COLLISION DETECTION SOFTWARE
AS-B-A	ARCSAFE SOLID MOUNT

** See Page 12 for insulating disk selection