

ArcSafe™ Xtra-Guard

Robotic Collision Protection



The ArcSafe Xtra-Guard is an inexpensive investment to protect equipment, tooling, reduce or eliminate expensive downtime and maintenance issues.

Xtra-Guard Features:

- **Highly Repeatable** – Resets to $\pm .020''$ ($\pm .025\text{mm}$)
- **Rugged Design** – Hardened tool steel in contact and wear points.
- **Common Work Envelope** – Interchangeability with **AMERICAN WELDQUIP's** air-cooled or water-cooled modular robotic systems.
- **Adaptable** – Can be added to the Advantage system at a future time if required.
- **Insulating/Mounting Disk** – Different disks provide adaptability to any robot make and model.
- **Protection in Mx, My, Mz Directions**
- **Protective Seal Boot** – Keeps weld spatter out of mounting screws and other critical areas for reduced downtime and maintenance.

The ArcSafe™ Xtra-Guard provides maximum collision protection in “Thru Arm” robotic applications.

The **AMERICAN WELDQUIP** ArcSafe Xtra-Guard Collision Deflection Module is designed to be used with the ArcSafe Advantage ‘Thru Arm’ robotic systems.

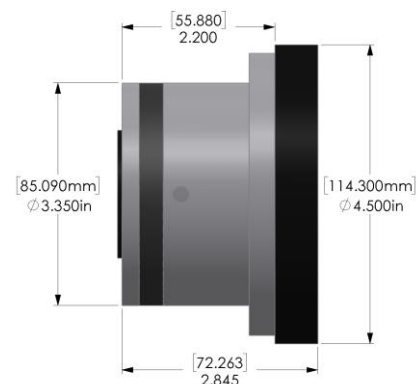
Most integrated robotic collision detection software systems take time to come to a complete stop - especially with high speed movements. This is where the Xtra-Guard offers you the additional protection and peace of mind.

The built-in spring deflection feature allows the ArcSafe Advantage Robotic System to deflect in the event of a crash. The built-in damping provides an extra 15 degrees deflection in the X and Y direction and .250” of movement in the Z axis. This additional safe guard provides you the extra protection required to reduce or eliminate bent goosenecks, cracked insulating disks, and damaged tooling.

Technical Specifications

Weight –	2.2lbs. (1 KG)
Repeatability -	$\pm .020''$ ($\pm .5\text{mm}$) At 300mm Length
Range Of Travel -	X & Y Axis - 15° Z Axis - .25” (6.35mm)

Dimensional Drawings



HOW TO ORDER

PART NUMBER	DESCRIPTION
AST-2000	ArcSafe Xtra-Guard Collision Deflection Module

INSULATION DISKS

PART NUMBER	ROBOT MAKE
AST-A101-SD	<u>ABB</u>
AST-F101-SD	<u>FANUC</u>
AST-M101-SD	<u>MOTOMAN</u>
AST-O101-SD	<u>OTC</u>
AST-P101-SD	<u>PANASONIC</u>

ROBO-QUIP ROBOTIC NOZZLE CLEANING STATION



The New **AMERICAN WELDQUIP** Robo-Quip RQ-5000 Nozzle Cleaning Station has all the advanced features and benefits you are looking for in a robust and durable robotic nozzle cleaning station.

The Robo-Quip optimizes all the advanced features in a clean, simple design. It is uncomplicated and does not utilize expensive PC boards or other parts found in competitive brands. All the while, offering the same advanced features such as Ethernet and DeviceNet capabilities.

See Catalog Sheet CAT010 for more information

QUIP-MIST

NOZZLE CONDITIONER AND ANTI-SPATTER



QUIP-MIST is an exceptional performing, eco-friendly product that significantly reduces or eliminates spatter retention on weld nozzles, parts and tooling. Helps to extend the life of consumables, reduces downtime and increases productivity.

Extend the life of your consumables, reduce downtime and maintenance cost with Quip-Mist Nozzle Conditioner and Anti-Spatter.

- 87008SNC – 8oz.(236.89ml) Spray Bottle
- 870032NC – 32 oz.(946.35ml) Spray Bottle
- 870001NC – 1 Gallon(3.785l) Container
- 870005NC – 5 Gallon(18.927l)Cubetainer w/faucet
- 870055NC – 55 Gallon(208.20l) Drum

See Catalog Sheet CAT009 for more information