

AMERICAN WELDQUIP ARCSAFE™ COLLISION SENSORS

The ArcSafe™ and ArcSafe -SW Provide The Maximum Collision Protection In Robotic Applications

The ArcSafe utilizes an integrated switch designed to prevent damage to the robotic end of arm equipment and/or tooling. In the event of a crash the ArcSafe signals an E-Stop function of the robot, shutting down the system and avoiding costly damage to the torch, robot or production line components.



The **ArcSafe-SW** is specifically designed for use where crash protection is integrated into the robotic software package. Most integrated robotic collision detection software systems take time to come to a complete stop - especially with high speed movements. This is where the ArcSafe-SW offers additional protection over solid mount devices. The 20 degree deflection feature incorporated into the ArcSafe-SW provide additional protection over other solid mount type devices. This additional safe guard provides the extra protection required to reduce or eliminate bent goosenecks, cracked insulating disks and damaged tooling.



The **ArcSafe Solid Mount** is for use with robotic systems with software crash protection. The solid mount provides the necessary connection between the robot wrist and the torch.

ArcSafe Solid Mount



- ✓ Highly Repeatable – Resets to +.002" (+.04mm)
- ✓ Rugged Design – Hardened Tool Steel In Contact and Wear Points.
- ✓ Common Work Envelope – Interchangeability When Changing Out Competitive Brands.
- ✓ Robust E-Stop Control Cable/Connector – Heavy Control Cable And Robust Connector Mean Less Downtime Because Of Cable Issues.
- ✓ Protection In The Mx, My, Mz and Fz Directions
- ✓ Arm Mounting Post – Hardened Tool Steel And Flat Surface For Fast, Precise Wedge Pin Mounting Of Torch Arms.
- ✓ Quick Field Replaceable Switch Assembly.
- ✓ Easy Sensitivity Adjustment.
- ✓ Air Assist - Standard
- ✓ Quick Installation – Only Four Screws With Common Allen Key Wrench.
- ✓ Protective Seal Boot – Keeps Weld Spatter Out Of Mounting Screws And Other Critical Areas For Reduced Downtime and Maintenance.
- ✓ Manufactured By American Weldquip In Sharon Center, Ohio So You Are Always Guaranteed The Quality You Can Trust.

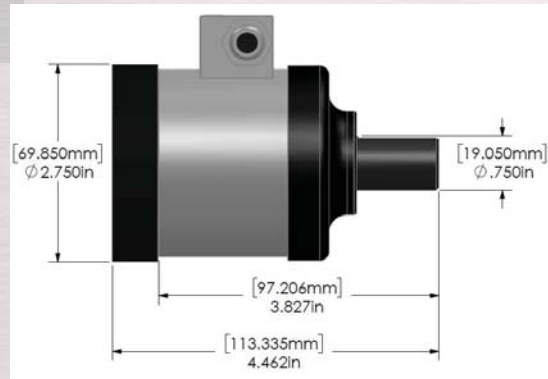
ROBOTIC
ARCSAFE



Technical Specifications – ArcSafe, ArcSafe-SW

Weight - 1lb. 9 oz. (.709 KG)
Repeatability - + .002" (+ .04mm)
Range Of Travel - 20° Pivot, 360° Rotation
 .50" (12.7mm) Compression

Spring Force-
 Mx, My = 93 in-lbs
 Mz = 168 in.lbs.
 Fz = 172 lbs.



HOW TO ORDER

PART NUMBER	DESCRIPTION
AH1881	ARCSAFE ROBOTIC COLLISION SENSOR
ASW2000	ARCSAFE-SW FOR USE WITH ROBOTIC COLLISION DETECTION SOFTWARE
AS-B-A	ARCSAFE SOLID MOUNT ** See Page 12 for insulating disk selection

AMERICAN WELDQUIP ROBOTIC TORCH MOUNTING ARMS



CNC machined from solid aluminum bar stock to guarantee accuracy and rigidity. All American Weldquip brackets incorporate a “Flange Lock” mounting feature which guarantees TCP accuracy and orientation when replacing the ArcSafe or torch mount. The unique, precision machined torch/gooseneck locating flat insures repeatability in the event of torch/gooseneck or arm change out.

Torch Mounting Arms and Insulating Disks Are Manufactured By American Weldquip In Sharon Center, Ohio So You Are Always Guaranteed The Quality You Can Trust.

HOW TO ORDER

PART NUMBER	DESCRIPTION
AS-B-23	23 DEGREE MOUNTING BRACKET (335MM TCP) FOR USE WITH 22 DEGREE GOOSENECKS
AS-B-23L	23 DEGREE MOUNTING BRACKET (400MM TCP) FOR USE WITH 22 DEGREE GOOSENECKS
AS-B-23L500	23 DEGREE MOUNTING BRACKET (500MM TCP) FOR USE WITH 22 DEGREE GOOSENECKS
AS-B-3.98	90 DEGREE MOUNTING BRACKET (3.98" /101MM CENTER LINE) FOR USE WITH 45 DEGREE GOOSENECKS
AS-B-4.25	90 DEGREE MOUNTING BRACKET (4.25" /108MM CENTER LINE) FOR USE WITH 45 DEGREE GOOSENECKS
AS-B-4.50	90 DEGREE MOUNTING BRACKET (4.50" /114MM CENTER LINE) FOR USE WITH 45 DEGREE GOOSENECKS
AS-B-5.39	90 DEGREE MOUNTING BRACKET (5.39" /137MM CENTER LINE) FOR USE WITH 45 DEGREE GOOSENECKS