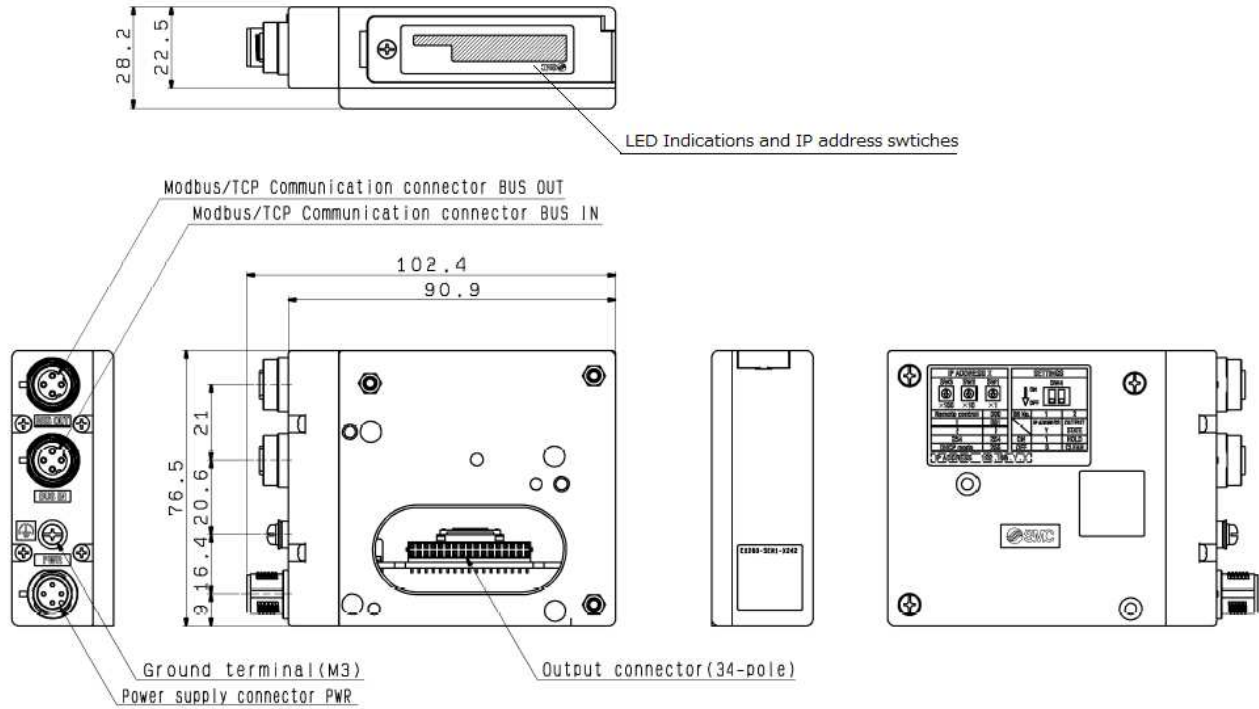
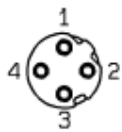


# Quick guide for EX260-SEN1-X242 Modbus/TCP SI unit (Engineering sample)



## - Wiring

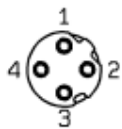
Modbus/TCP Communication connector BUS OUT:M12 4-pole Socket D-coded



No.	Designation	Description
1	TD+	Transmission Data +
2	RD+	Receiving Data +
3	TD-	Transmission Data -
4	RD-	Receiving Data -

Plug connector cable:CAT5 cable(M12 4-pole Plug D-coded)  
EX9-AC\*\*\*EN-PSRJ etc.

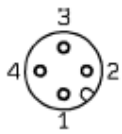
Modbus/TCP Communication connector BUS IN:M12 4-pole Socket D-coded



No.	Designation	Description
1	TD+	Transmission Data +
2	RD+	Receiving Data +
3	TD-	Transmission Data -
4	RD-	Receiving Data -

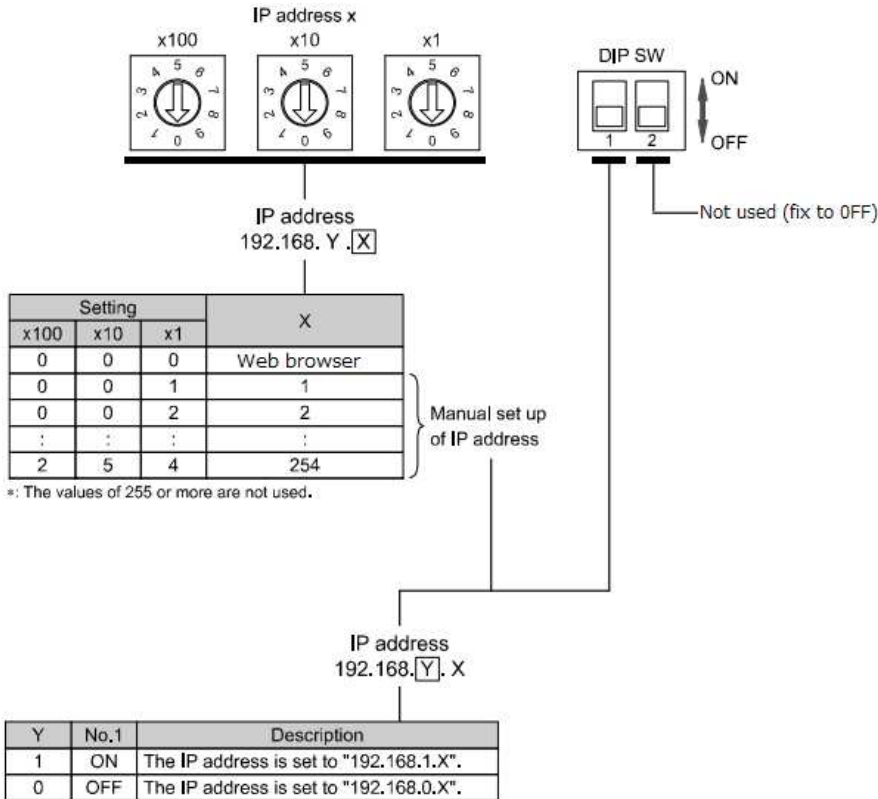
Plug connector cable:CAT5 cable(M12 4-pole Plug D-coded)  
EX9-AC\*\*\*EN-PSRJ etc.

**Power supply connector PWR:M12 4-pole Plug A-coded**



No.	Designation	Description
1	SI24V	+24V for SI Unit operation
2	SV24V	+24V for solenoid valve
3	SIOV	0V for SI Unit operation
4	SV0V	0V for solenoid valve

**- IP addressing**




**(IP addressing via Web browser)**

1. Access to EX260-SEN1-X242 by internet web browser (i.e. Google chrome etc.). Default IP address is 192.168.1.20 (Subnet mask 255.255.255.0).
2. Enter IP address, subnet mask and Default gateway in the Interface Status Tab.
3. Click set and cycle power

**EX260-SEN1-X242**

IP Address : 192.168.1.20    Force output : Inactive    I/O Size : 16IN / 32OUT  
 Network : IP Address Configured    ModuleStatus : In Normal Operation    Valve Power : ON

 [Setting File](#)

SOLV Status    Registers    Coils monitor    Hold/Clear    **Interface Status**    Statistics

---

Network Config

IP Address : 192.168.1.20  
 SubnetMask : 255.255.255.0  
 DefaultGateway : 0.0.0.0

Click "Set"

---

Ethernet Port 1		Ethernet Port 2	
Ethernet Address	00:23:C6:00:0F:1B	Ethernet Address	00:23:C6:00:0F:1B
Interface label	BUS-IN	Interface label	BUS-OUT
Link Status	Active	Link Status	Inactive
Speed	100Mbps	Speed	-
Duplex	Full duplex	Duplex	-
MDI/MDI-X	Auto MDI/MDI-X	MDI/MDI-X	-

**- LED Indication**

LED	Status	Description
AS	OFF	SI unit operating voltage is not supplied or IP address not set.
	Green flashing	IP address setting completed.
	Red ON	IP address duplicated.
MS	OFF	SI unit operating voltage is not supplied.
	Green ON	Operating normally.
	Red flashing	Recoverable error.
	Red ON	Unrecoverable error.
L/A1	OFF	BUS IN side:No Link,No Activity.
	Green ON	BUS IN side:Link,No Activity.
	Green flashing	BUS IN side:Link,Activity.
L/A2	OFF	BUS OUT side:No Link,No Activity.
	Green ON	BUS OUT side:Link,No Activity.
	Green flashing	BUS OUT side:Link,Activity.
PWR(V)	Green ON	Load voltage for the valve is supplied.
	OFF	Load voltage for the valve is not supplied or outside tolerance range(19V or less)

**- Supported Modbus Function codes and IO mapping**

**< Function codes >**

Read Coils (0x01)

Read Discrete Inputs (0x02)

Read Holding Registers (0x03)

Read Input Registers (0x04)

Write Single Coil (0x05)

Write Single Register (0x06)

Write Multiple Coils (0x0F)

Write Multiple Registers (0x10)

Read/Write Multiple Registers (0x17)

<IO mapping>

Input data

Discrete Inputs	Input register	Input data																		
		MSB								LSB										
		15								7										
100016 - 100001	300001	0	0	0	0	0	0	0	0	0	0	0	0	0	0	0	0	SOLV	0	0

Input status area

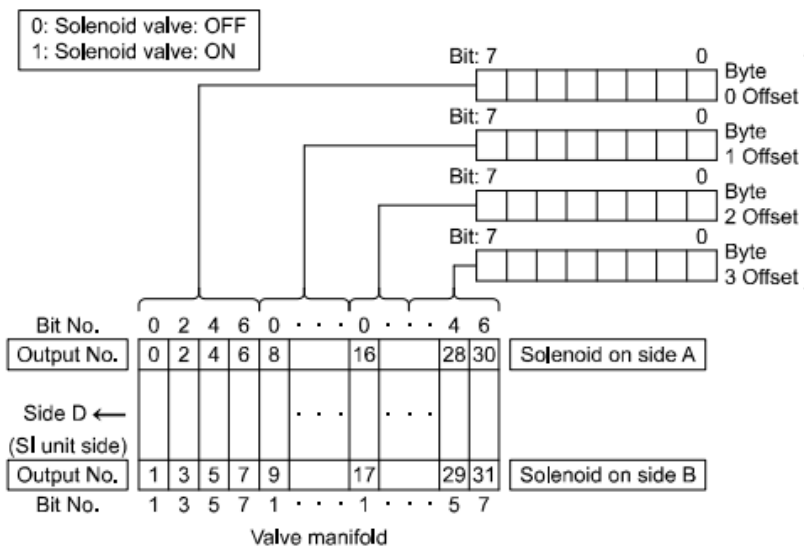
Input status area specifications

Item	Status	State	
SOLV	State of power supply for solenoid valve	0	Normal
		1	Abnormal (19 V or less)

Output data

Coil bits	Registers Address	Output data															
		MSB								LSB							
		15								7							
000016 - 000001	400001	OUT15	OUT14	OUT13	OUT12	OUT11	OUT10	OUT9	OUT8	OUT7	OUT6	OUT5	OUT4	OUT3	OUT2	OUT1	OUT0
000032 - 000017	400002	OUT31	OUT30	OUT29	OUT28	OUT27	OUT26	OUT25	OUT24	OUT23	OUT22	OUT21	OUT20	OUT19	OUT18	OUT17	OUT16

Output assignment to valve manifold



## - Output status configuration when communication timeout

Output status when communication timeout occurs is configured for each output with Web browser.

C; Output will be OFF (default)

H; Output will hold the last status

### EX260-SEN1-X242

IP Address :


Network : Connection Establish

Force output :

ModuleStatus : In Normal Operation

I/O Size :

Valve Power :



[Setting File](#)

SOLV Status

Registers

Coils monitor


Hold/Clear

Interface Status

Statistics

Offset (INT)	HOLD/CLEAR															
	Bit															
	15	14	13	12	11	10	9	8	7	6	5	4	3	2	1	0
0	C	C	C	C	C	C	C	C	C	C	C	C	C	C	C	C
1	C	C	C	C	C	C	C	C	C	C	C	C	C	C	C	C

C:Clear H:Hold



© 2021 SMC Corporation. All Rights Reserved. version 0.01